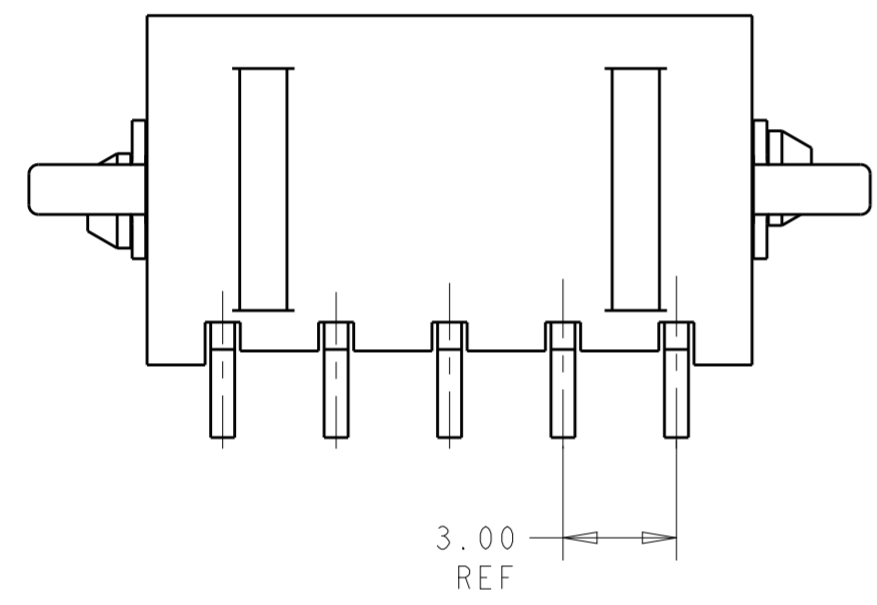
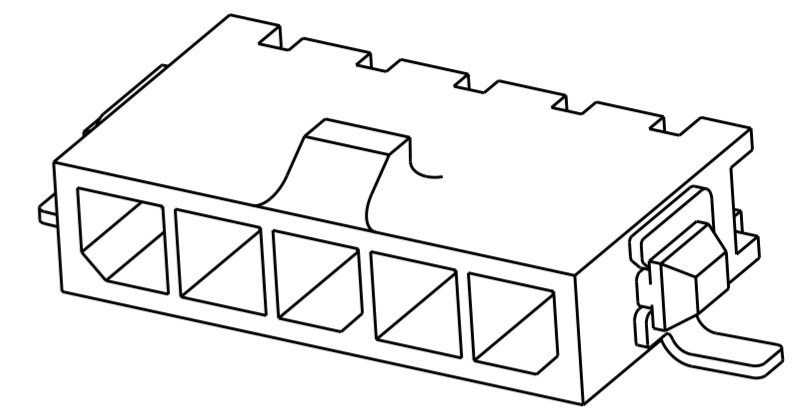
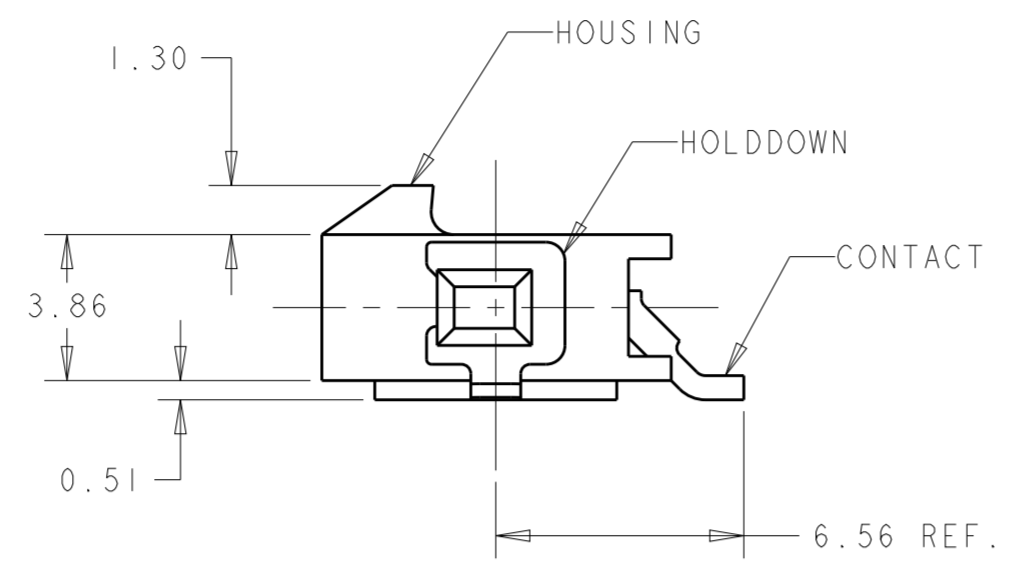
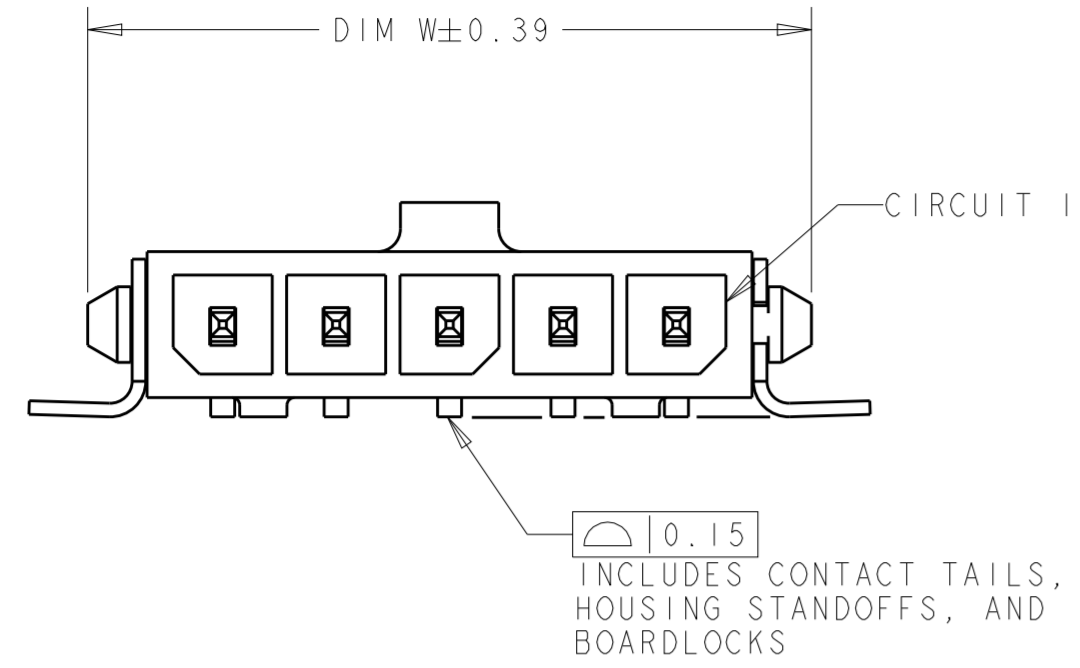


THIS DRAWING IS UNPUBLISHED. RELEASED FOR PUBLICATION 20
 © COPYRIGHT 20 BY - ALL RIGHTS RESERVED.

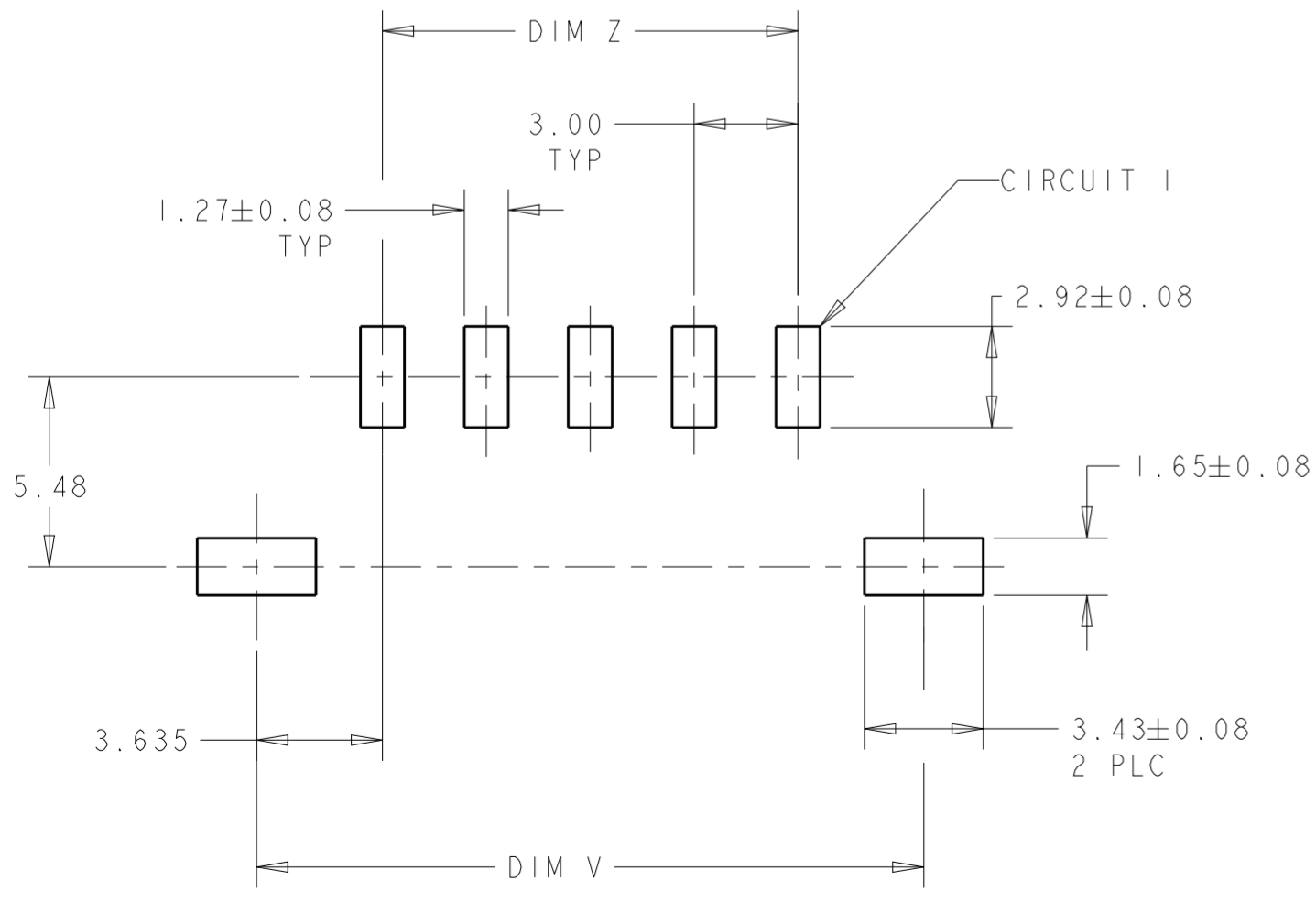
REVISIONS					
P	LTR	DESCRIPTION	DATE	DWN	APVD
B2		REVISED PER ECR-16-011494	20JUN2017	NK	CX
B3		ECO-19-006934	13MAY2019	AP	WLS
B4		REVISED PER ECO-20-010933	05AUG2020	WLS	VS



- 1 MATERIAL: CONTACTS - BRASS
HOUSING - UL 94V-0 RATED HIGH TEMP NYLON, COLOR BLACK.
HOLDDOWNS: - PHOSPHOR BRONZE.
- 2 PLATING: CONTACTS - 0.38µm MINIMUM GOLD ON MATING END,
2.54µm MINIMUM TIN LEAD ON SOLDER TAILS, BOTH OVER
1.27µm MINIMUM NICKEL.
HOLDDOWNS: 2.54µm MINIMUM TIN-LEAD OVER 1.27µm MINIMUM
NICKEL.
- 4 RECOMMENDED PC BOARD THICKNESS OF 1.57.
- 5 PLATING: CONTACTS - 0.38µm MINIMUM GOLD ON MATING END,
2.54µm MINIMUM MATTE TIN ON SOLDER TAILS, BOTH OVER
1.27µm MINIMUM NICKEL.
HOLDDOWNS: 2.54µm MINIMUM MATTE TIN OVER 1.27µm MINIMUM
NICKEL.

5	33.00	40.41	40.00	12	3-1445091-2
5	30.00	37.41	37.00	11	3-1445091-1
5	27.00	34.41	34.00	10	3-1445091-0
5	24.00	31.41	31.00	9	2-1445091-9
5	21.00	28.41	28.00	8	2-1445091-8
5	18.00	25.41	25.00	7	2-1445091-7
5	15.00	22.41	22.00	6	2-1445091-6
5	12.00	19.41	19.00	5	2-1445091-5
5	9.00	16.41	16.00	4	2-1445091-4
5	6.00	13.41	13.00	3	2-1445091-3
5	3.00	10.41	10.00	2	2-1445091-2
2	33.00	40.41	40.00	12	+1445091-2-
2	30.00	37.41	37.00	11	+1445091-1-
2	27.00	34.41	34.00	10	+1445091-0-
2	24.00	31.41	31.00	9	-1445091-9-
2	21.00	28.41	28.00	8	-1445091-8-
2	18.00	25.41	25.00	7	-1445091-7-
2	15.00	22.41	22.00	6	-1445091-6-
2	12.00	19.41	19.00	5	-1445091-5-
2	9.00	16.41	16.00	4	-1445091-4-
2	6.00	13.41	13.00	3	-1445091-3-
2	3.00	10.41	10.00	2	-1445091-2-

SUPERSEDED BY 3-1445091-2
 SUPERSEDED BY 3-1445091-1
 SUPERSEDED BY 3-1445091-0
 SUPERSEDED BY 2-1445091-9
 SUPERSEDED BY 2-1445091-8
 SUPERSEDED BY 2-1445091-7
 SUPERSEDED BY 2-1445091-6
 SUPERSEDED BY 2-1445091-5
 SUPERSEDED BY 2-1445091-4
 SUPERSEDED BY 2-1445091-3
 SUPERSEDED BY 2-1445091-2



PCB LAYOUT COMPONENT SIDE 4

THIS DRAWING IS A CONTROLLED DOCUMENT.

DWN J. ROOT 09OCT2000
 CHK K. WHITAKER 17-APR-2001
 APVD C. JONES 17-APR-2001

STC TE Connectivity

NAME RIGHT ANGLE SURF MOUNT HEADER ASSY, 0.38 MIC GOLD CONTACTS, W/SURF MNT, HOLDDONWS, SGL ROW, MICRO MATE-N-LOK™

PRODUCT SPEC 108-1836
 APPLICATION SPEC 114-13000

SIZE A2 CAGE CODE 00779 DRAWING NO C-1445091 RESTRICTED TO

MATERIAL SEE TABLE FINISH 1

WEIGHT -

CUSTOMER DRAWING SCALE 5:1 SHEET 1 OF 1 REV B4